



# Jongen Werkzeugtechnik

3xD

5xD

**SPECIAL OFFER**

**DRILLING TOOLS**

Products from



Willich



North-Rhine  
Westphalia



Germany



Europe

for



Europe

and the



The special offer is valid till 30.06.2023, or while stocks last.

Only complete sets for sale, as indicated in this brochure and at market usual order quantities.

01/23

**Jongen Werkzeugtechnik GmbH**

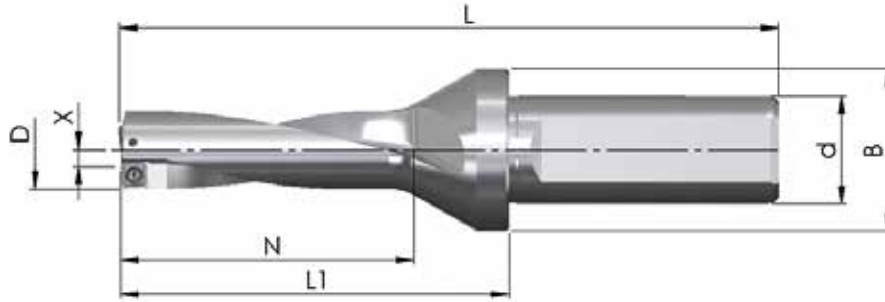
Siemensring 11 · 47877 Willich · Germany

Phone: +49 2154 / 9285-2900 · Fax: +49 2154 / 9285-92900

www.jongen.de · Email: export@jongen.de



## SET 2023-1 - 3xD DRILLING TOOL TYPE D01

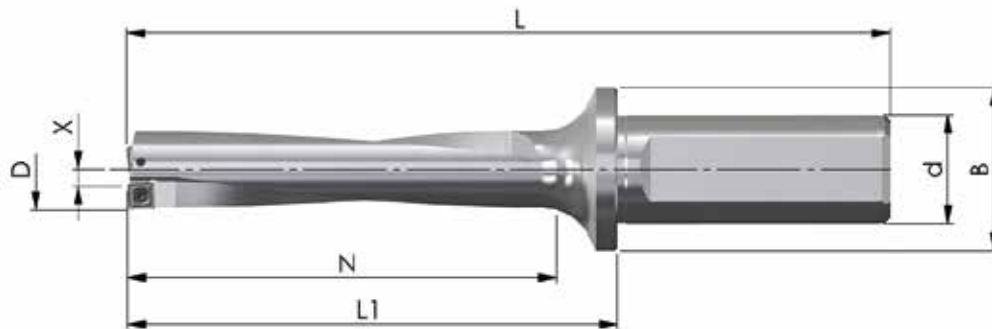


Article Code	D	N	L <sub>1</sub>	L	d <sub>h6</sub>	B	Z	X max.	List prices
BW-14-42-20-04	14,0	42,0	69	119	20	30	1+1	0,25	244,00 €
BW-14,5-45-20-04	14,5	45,0	72	122	20	30	1+1	0,25	244,00 €
BW-15-45-20-04	15,0	45,0	72	122	20	30	1+1	0,25	244,00 €
BW-15,5-48-20-04	15,5	48,0	75	125	20	30	1+1	0,25	244,00 €
BW-16-48-20-04	16,0	48,0	75	125	20	30	1+1	0,25	244,00 €
10 pieces (1 packaging unit) JDD01-04T2R04-... or JDD01-0402R04-... freely selectable quality									91,00 €

List price: 335,00 €

Special price for ONE of the above listed drills with 1 packaging unit drilling inserts: 199,00 €

## SET 2023-2 - 5xD DRILLING TOOL TYPE D01

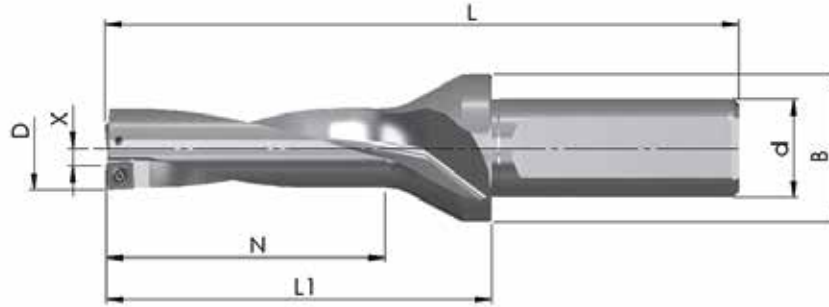


Article Code	D	N	L <sub>1</sub>	L	d <sub>h6</sub>	B	Z	X max.	List prices
BW-14-70-20-04	14,0	70,0	85,0	135,0	20	30	1+1	0,25	310,00 €
BW-14,5-75-20-04	14,5	75,0	87,5	137,5	20	30	1+1	0,25	310,00 €
BW-15-75-20-04	15,0	75,0	90,0	140,0	20	30	1+1	0,25	310,00 €
BW-15,5-80-20-04	15,5	80,0	92,5	142,5	20	30	1+1	0,25	310,00 €
BW-16-80-20-04	16,0	80,0	95,0	145,0	20	30	1+1	0,25	310,00 €
BW-16,5-85-20-04	16,5	85,0	97,5	147,5	20	30	1+1	0,25	310,00 €
10 pieces (1 packaging unit) JDD01-04T2R04-... or JDD01-0402R04-... freely selectable quality									91,00 €

List price: 401,00 €

Special price for ONE of the above listed drills with 1 packaging unit drilling inserts: 223,00 €

## SET 2023-3- 3xD DRILLING TOOL TYPE D02

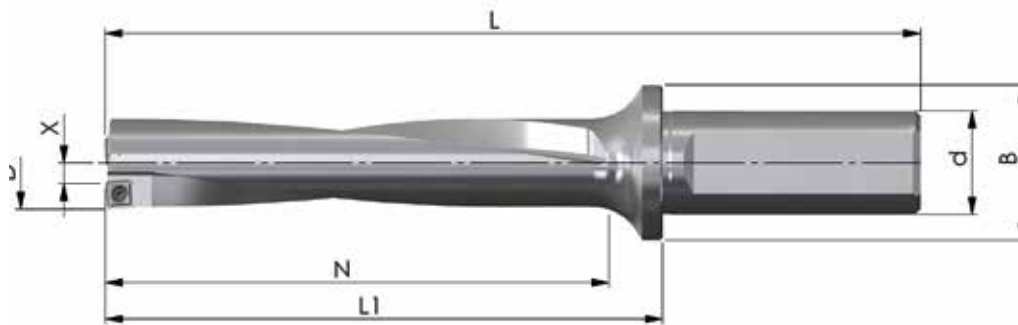


Article Code	D	N	L <sub>1</sub>	L	d <sub>h6</sub>	B	Z	X max.	List prices
BW-16,5-51-20-05	16,5	51,0	78	128	20	30	1+1	0,40	244,00 €
BW-17-51-20-05	17,0	51,0	78	128	20	30	1+1	0,40	244,00 €
BW-17,5-54-20-05	17,5	54,0	81	131	20	30	1+1	0,40	244,00 €
BW-18-54-20-05	18,0	54,0	81	131	20	30	1+1	0,40	244,00 €
10 pieces (1 packaging unit) JDD02-05T2R04-... or JDD02-0502R04-... freely selectable quality									94,00 €

List price: 338,00 €

Special price for ONE of the above listed drills with 1 packaging unit drilling inserts: 205,00 €

## SET 2023-4 - 5xD DRILLING TOOL TYPE D02

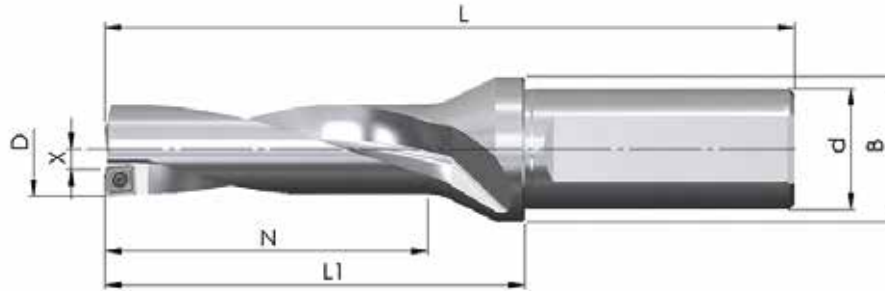


Article Code	D	N	L <sub>1</sub>	L	d <sub>h6</sub>	B	Z	X max.	List prices
BW-17-85-20-05	17,0	85,0	103,0	153,0	20	30	1+1	0,40	310,00 €
BW-17,5-90-20-05	17,5	90,0	105,5	155,5	20	30	1+1	0,40	310,00 €
BW-18-90-20-05	18,0	90,0	108,0	158,0	20	30	1+1	0,40	310,00 €
BW-18,5-90-25-05	18,5	90,0	109,0	165,0	25	30	1+1	0,40	310,00 €
10 pieces (1 packaging unit) JDD02-05T2R04-... or JDD02-0502R04-... freely selectable quality									94,00 €

List price: 404,00 €

Special price for ONE of the above listed drills with 1 packaging unit drilling inserts: 234,00 €

## SET 2023-5 - 3xD DRILLING TOOL TYPE D03



Article Code	D	N	L <sub>1</sub>	L	d <sub>h6</sub>	B	Z	X max.	List prices
BW-18,5-57-25-06	18,5	57,0	84	140	25	30	1+1	0,5	244,00 €
BW-19-57-25-06	19,0	57,0	84	140	25	30	1+1	0,5	244,00 €
BW-19,5-60-25-06	19,5	60,0	87	143	25	30	1+1	0,5	244,00 €
BW-20-60-25-06	20,0	60,0	87	143	25	30	1+1	0,5	277,00 €
BW-20,5-63-25-06	20,5	63,0	90	146	25	30	1+1	0,5	277,00 €
10 pieces (1 packaging unit) JDD03-06T2R06-... or JDD03-0602R06-... freely selectable quality									97,50 €

List price: 341,50 € or 374,50 €

Special price for ONE of the above listed drills with 1 packaging unit drilling inserts: 212,00 €

## SET 2023-6 - 5xD DRILLING TOOL TYPE D03

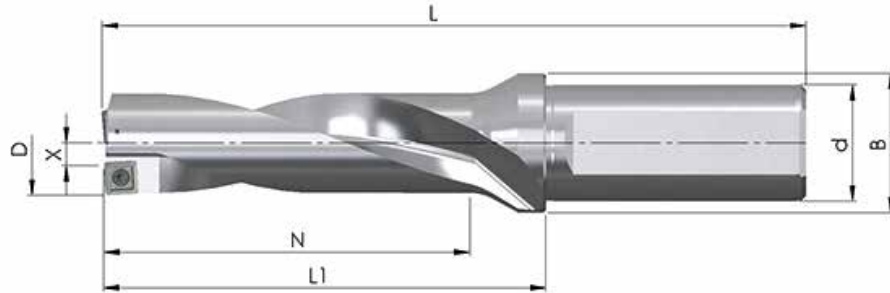


Article Code	D	N	L <sub>1</sub>	L	d <sub>h6</sub>	B	Z	X max.	List prices
BW-19-95-25-06	19,0	95,0	111,5	167,5	25	30	1+1	0,5	310,00 €
BW-19,5-100-25-06	19,5	100,0	114,0	170,0	25	30	1+1	0,5	310,00 €
BW-20-100-25-06	20,0	100,0	116,5	172,5	25	30	1+1	0,5	351,00 €
BW-20,5-105-25-06	20,5	105,0	119,0	175,0	25	30	1+1	0,5	351,00 €
BW-21-105-25-06	21,0	105,0	121,5	177,5	25	30	1+1	0,5	351,00 €
10 pieces (1 packaging unit) JDD03-06T2R06-... or JDD03-0602R06-... freely selectable quality									97,50 €

List price: 407,50 € or 448,50 €

Special price for ONE of the above listed drills with 1 packaging unit drilling inserts: 253,00 €

## SET 2023-7 - 3xD DRILLING TOOL TYPE D04

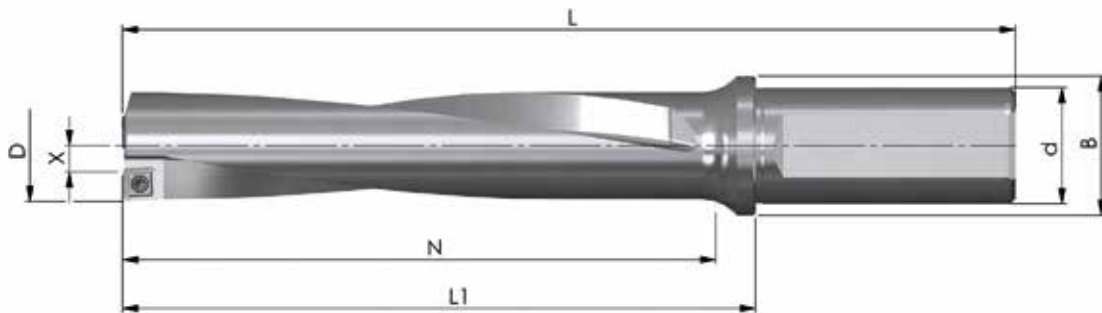


Article Code	D	N	L <sub>1</sub>	L	d <sub>h6</sub>	B	Z	X max.	List prices
BW-21-63-25-07	21,0	63,0	90	146	25	30	1+1	0,5	277,00 €
BW-21,5-63-25-07	21,5	63,0	90	146	25	30	1+1	0,5	277,00 €
BW-22-66-25-07	22,0	66,0	92	148	25	30	1+1	0,5	277,00 €
BW-22,5-69-25-07	22,5	69,0	95	151	25	30	1+1	0,5	277,00 €
BW-23-69-25-07	23,0	69,0	95	151	25	30	1+1	0,5	277,00 €
BW-23,5-72-25-07	23,5	72,0	98	154	25	30	1+1	0,5	277,00 €
BW-24-72-25-07	24,0	72,0	98	154	25	30	1+1	0,5	277,00 €
10 pieces (1 packaging unit) JDD04-07T2R06-... or JDD04-0702R06-... freely selectable quality									98,50 €

List price: **375,50 €**

Special price for ONE of the above listed drills with 1 packaging unit drilling inserts: **216,00 €**

## SET 2023-8 - 5xD DRILLING TOOL TYPE D04

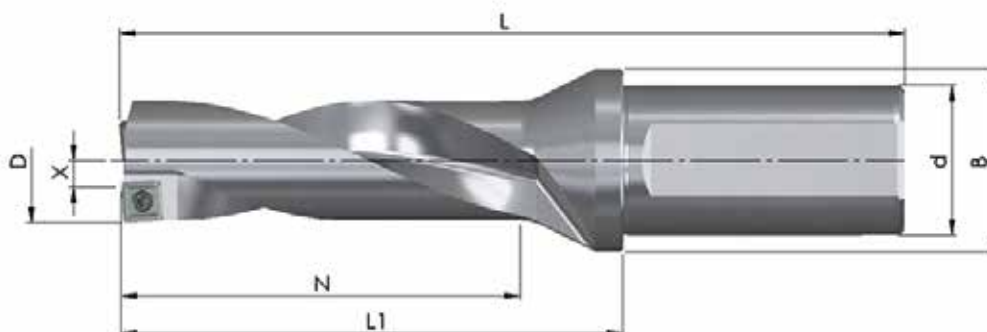


Article Code	D	N	L <sub>1</sub>	L	d <sub>h6</sub>	B	Z	X max.	List prices
BW-21,5-110-25-07	21,5	110,0	124,0	180,0	25	30	1+1	0,5	351,00 €
BW-22-110-25-07	22,0	110,0	126,5	182,5	25	30	1+1	0,5	351,00 €
BW-22,5-115-25-07	22,5	115,0	129,0	185,0	25	30	1+1	0,5	351,00 €
BW-23-115-25-07	23,0	115,0	131,5	187,5	25	30	1+1	0,5	351,00 €
BW-23,5-118-25-07	23,5	118,0	134,0	190,0	25	30	1+1	0,5	351,00 €
BW-24-120-25-07	24,0	120,0	136,5	192,5	25	30	1+1	0,5	351,00 €
BW-24,5-125-32-07	24,5	125,0	140,5	200,5	32	39	1+1	0,5	351,00 €
BW-25-125-32-07	25,0	125,0	143,0	203,0	32	39	1+1	0,5	373,00 €
BW-25,5-130-32-07	25,5	130,0	145,5	205,5	32	39	1+1	0,5	373,00 €
10 pieces (1 packaging unit) JDD04-07T2R06-... or JDD04-0702R06-... freely selectable quality									98,50 €

List price: **449,50 € or 471,50 €**

Special price for ONE of the above listed drills with 1 packaging unit drilling inserts: **264,00 €**

## SET 2023-9 - 3xD DRILLING TOOL TYPE D05

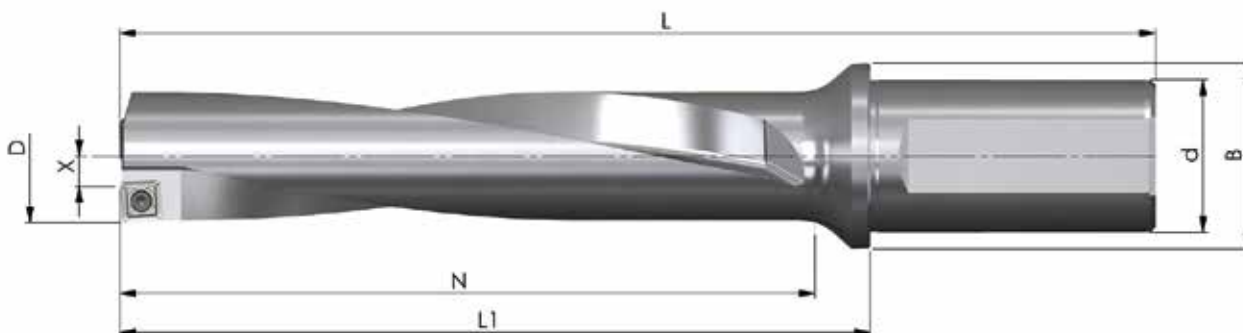


Article Code	D	N	L <sub>1</sub>	L	d <sub>h6</sub>	B	Z	X max.	List prices
BW-24,5-75-32-08	24,5	75,0	101	161	32	39	1+1	0,5	277,00 €
BW-25-75-32-08	25,0	75,0	101	161	32	39	1+1	0,5	294,00 €
BW-25,5-78-32-08	25,5	78,0	104	164	32	39	1+1	0,5	294,00 €
BW-26-78-32-08	26,0	78,0	104	164	32	39	1+1	0,5	294,00 €
BW-26,5-81-32-08	26,5	81,0	107	167	32	39	1+1	0,5	294,00 €
BW-27-81-32-08	27,0	81,0	107	167	32	39	1+1	0,5	294,00 €
BW-27,5-84-32-08	27,5	84,0	110	170	32	39	1+1	0,5	294,00 €
BW-28-84-32-08	28,0	84,0	110	170	32	39	1+1	0,5	294,00 €
BW-28,5-87-32-08	28,5	87,0	110	170	32	39	1+1	0,5	294,00 €
10 pieces (1 packaging unit) JDD05-08T3R08-... or JDD05-0803R08-... freely selectable quality									106,00 €

List price: 383,00 € or 400,00 €

Special price for ONE of the above listed drills with 1 packaging unit drilling inserts: 232,00 €

## SET 2023-10 - 5xD DRILLING TOOL TYPE D05

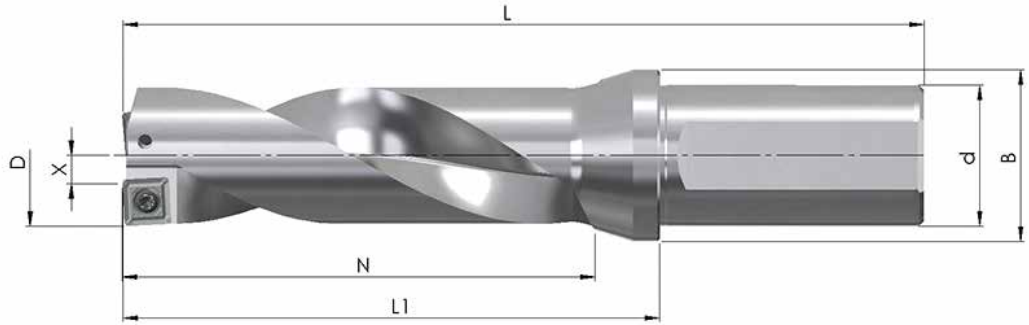


Article Code	D	N	L <sub>1</sub>	L	d <sub>h6</sub>	B	Z	X max.	List prices
BW-26-130-32-08	26,0	130,0	148,0	208,0	32	39	1+1	0,5	373,00 €
BW-26,5-135-32-08	26,5	135,0	150,5	210,5	32	39	1+1	0,5	373,00 €
BW-27-135-32-08	27,0	135,0	153,0	213,0	32	39	1+1	0,5	373,00 €
BW-28-140-32-08	28,0	140,0	158,0	218,0	32	39	1+1	0,5	373,00 €
BW-29-145-32-08	29,0	145,0	163,0	223,0	32	39	1+1	0,5	373,00 €
BW-30-150-32-08	30,0	150,0	168,0	228,0	32	39	1+1	0,5	373,00 €
10 pieces (1 packaging unit) JDD05-08T3R08-... or JDD05-0803R08-... freely selectable quality									106,00 €

List price: 479,00 €

Special price for ONE of the above listed drills with 1 packaging unit drilling inserts: 265,00 €

## SET 2023-11 - 3xD DRILLING TOOL TYPE D06

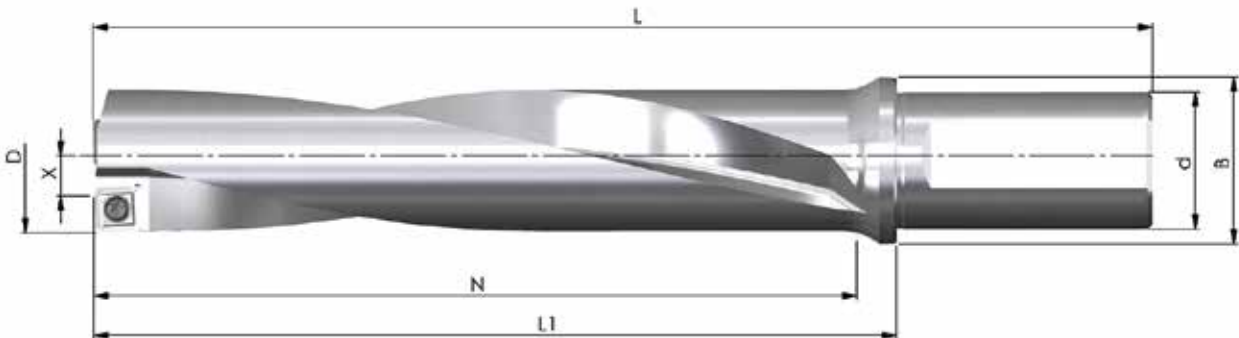


Article Code	D	N	L <sub>1</sub>	L	d <sub>h6</sub>	B	Z	X max.	List prices
BW-29-87-32-10	29,0	87,0	113	173	32	39	1+1	0,5	294,00 €
BW-29,5-87-32-10	29,5	87,0	113	173	32	39	1+1	0,5	294,00 €
BW-30-90-32-10	30,0	90,0	116	176	32	39	1+1	0,5	294,00 €
BW-31-93-32-10	31,0	93,0	119	179	32	39	1+1	0,5	294,00 €
BW-32-96-32-10	32,0	96,0	122	182	32	39	1+1	0,5	294,00 €
BW-33-99-32-10	33,0	99,0	125	185	32	39	1+1	0,5	294,00 €
BW-34-102-32-10	34,0	102,0	128	188	32	39	1+1	0,5	294,00 €
10 pieces (1 packaging unit) JDD06-10T4R08-... or JDD06-1004R08-... freely selectable quality									120,50 €

List price: 414,50 €

Special price for ONE of the above listed drills with 1 packaging unit drilling inserts: 237,00 €

## SET 2023-12 - 5xD DRILLING TOOL TYPE D06



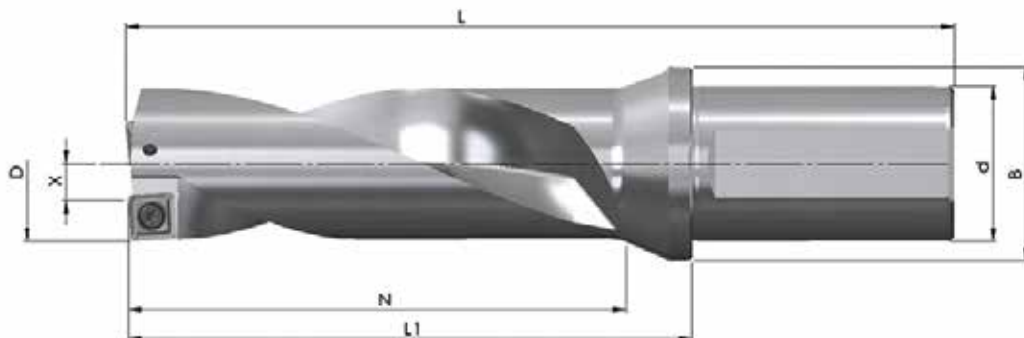
Article Code	D	N	L <sub>1</sub>	L	d <sub>h6</sub>	B	Z	X max.	List prices
BW-31-155-32-10	31,0	155,0	173,0	233,0	32	39	1+1	0,5	373,00 €
BW-32-160-32-10	32,0	160,0	178,0	238,0	32	39	1+1	0,5	373,00 €
BW-33-165-32-10	33,0	165,0	183,0	243,0	32	39	1+1	0,5	373,00 €
BW-34-170-32-10	34,0	170,0	188,0	248,0	32	39	1+1	0,5	373,00 €
BW-35-175-40-10	35,0	175,0	193,0	261,0	40	50	1+1	0,5	373,00 €
BW-36-180-40-10	36,0	180,0	198,0	266,0	40	50	1+1	0,5	373,00 €
BW-37-185-40-10	37,0	185,0	203,0	271,0	40	50	1+1	0,5	435,00 €
10 pieces (1 packaging unit) JDD06-10T4R08-... or JDD06-1004R08-... freely selectable quality									120,50 €

List price: 493,50 € or 555,50 €

Special price for ONE of the above listed drills with 1 packaging unit drilling inserts: 306,00 €



## SET 2022-13 - 3xD DRILLING TOOL TYPE D07

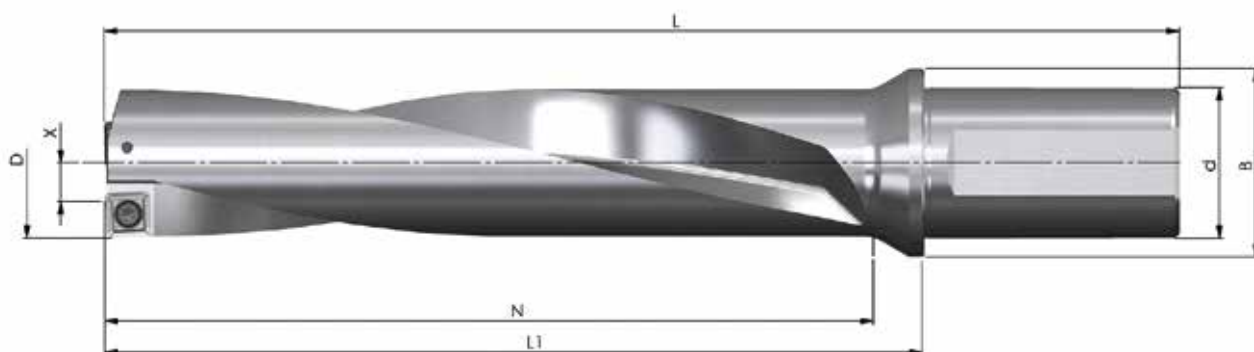


Article Code	D	N	L <sub>1</sub>	L	d <sub>h6</sub>	B	Z	X max.	List prices
BW-35-105-40-12	35,0	105,0	131	199	40	50	1+1	0,5	294,00 €
BW-36-108-40-12	36,0	108,0	134	202	40	50	1+1	0,5	294,00 €
BW-37-111-40-12	37,0	111,0	137	205	40	50	1+1	0,5	342,00 €
BW-38-114-40-12	38,0	114,0	140	208	40	50	1+1	0,5	342,00 €
BW-39-117-40-12	39,0	117,0	143	211	40	50	1+1	0,5	342,00 €
BW-40-120-40-12	40,0	120,0	146	214	40	50	1+1	0,5	342,00 €
BW-41-123-40-12	41,0	123,0	149	217	40	50	1+1	0,5	342,00 €
BW-42-126-40-12	42,0	126,0	152	220	40	50	1+1	0,5	342,00 €
BW-43-129-40-12	43,0	129,0	155	223	40	50	1+1	0,5	342,00 €
BW-44-132-40-12	44,0	132,0	158	226	40	50	1+1	0,5	342,00 €
10 pieces (1 packaging unit) JDD07-12T5R08-... or JDD07-1205R08-... freely selectable quality									131,00 €

List price: 425,00 € or 473,00 €

Special price for ONE of the above listed drills with 1 packaging unit drilling inserts: 296,00 €

## SET 2023-14 - 5xD DRILLING TOOL TYPE D07



Article Code	D	N	L <sub>1</sub>	L	d <sub>h6</sub>	B	Z	X max.	List prices
BW-38-190-40-12	38,0	190,0	208,0	276,0	40	50	1+1	0,5	435,00 €
BW-39-195-40-12	39,0	195,0	213,0	281,0	40	50	1+1	0,5	435,00 €
BW-40-200-40-12	40,0	200,0	218,0	286,0	40	50	1+1	0,5	435,00 €
BW-41-205-40-12	41,0	205,0	223,0	291,0	40	50	1+1	0,5	435,00 €
BW-42-210-40-12	42,0	210,0	228,0	296,0	40	50	1+1	0,5	435,00 €
BW-43-215-40-12	43,0	215,0	233,0	301,0	40	50	1+1	0,5	435,00 €
BW-44-220-40-12	44,0	220,0	238,0	306,0	40	50	1+1	0,5	435,00 €
10 pieces (1 packaging unit) JDD07-12T5R08-... or JDD07-1205R08-... freely selectable quality									131,00 €

List price: 566,00 €

Special price for ONE of the above listed drills with 1 packaging unit drilling inserts: 339,00 €